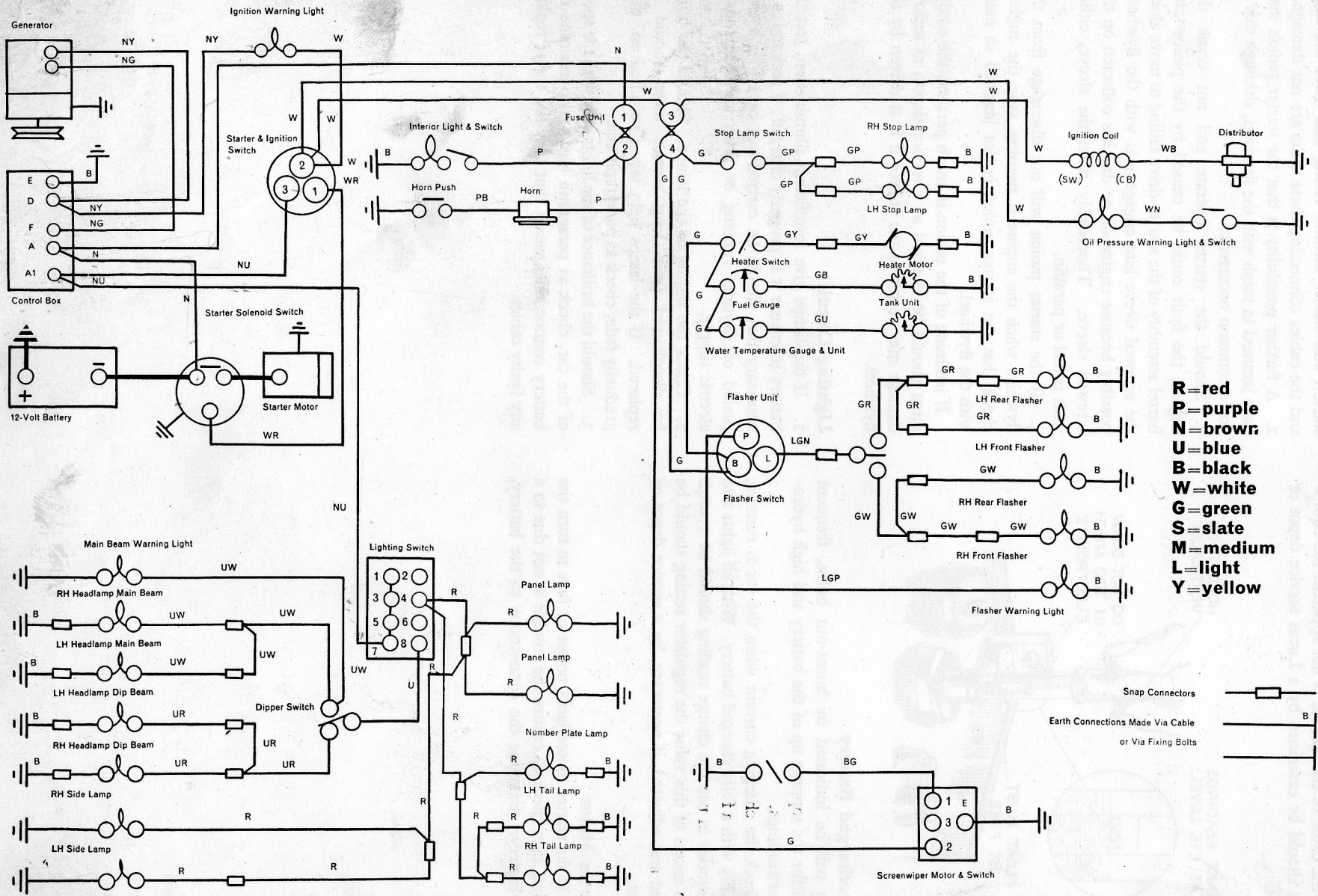
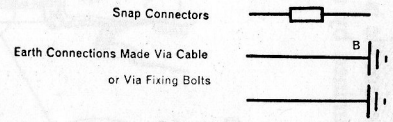


Figure 32



- R**=red
- P**=purple
- N**=brown
- U**=blue
- B**=black
- W**=white
- G**=green
- S**=slate
- M**=medium
- L**=light
- Y**=yellow



Electrical circuit diagram